

Features::

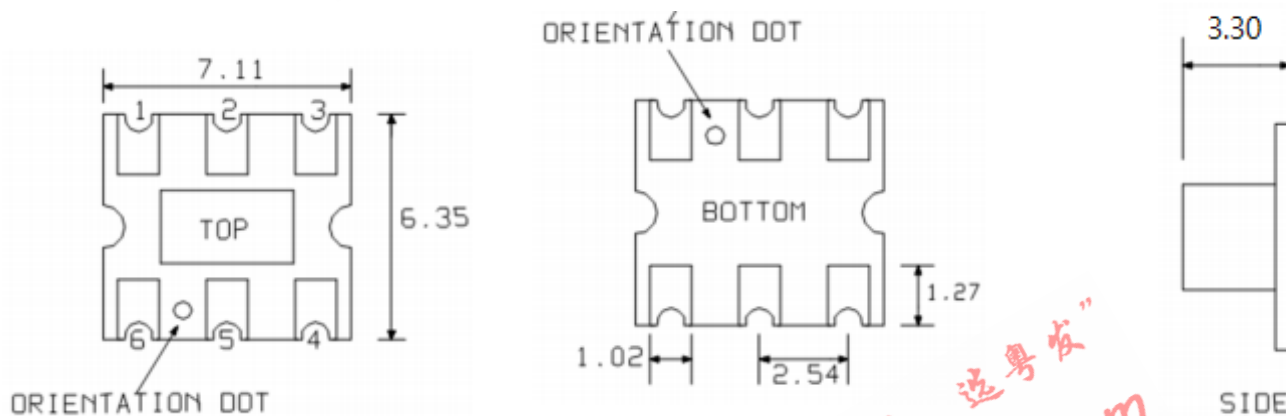
- ◆ 2 Way-0° Power Splitter/Combiner
- ◆ 75Ω Characteristic Impedance
- ◆ Frequency: 5to1250 MHz
- ◆ Power Input(as a splitter): 0.50W Max
- ◆ DC current: 30mA
- ◆ Operating temperature range: -40°C to +85°C
- ◆ Storage temperature range: -55°C to +100°C



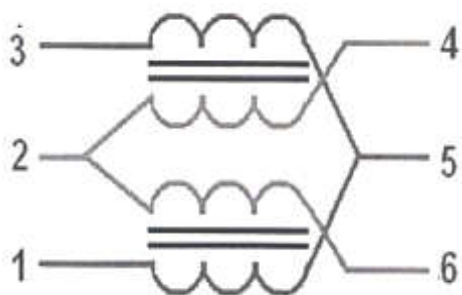
Applications:

- ◆ For broadband and wireless communications
- ◆ For VHF/UHF receivers/transmitters and push-pull amplifiers

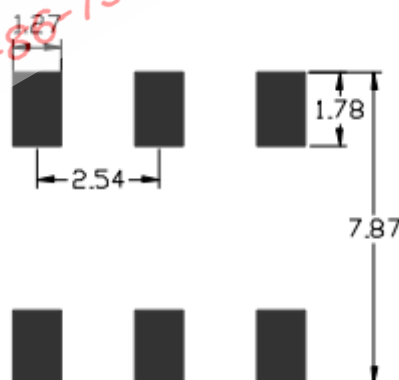
Dimension Diagram (Unit:mm) :



Electrical structure:



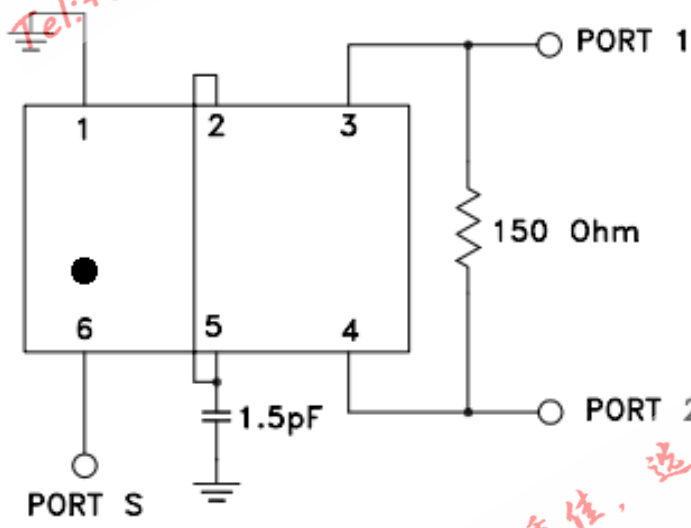
Recommended layout:



Pin configuration

SUM PORT	6
PORT 1	3
PORT 2	4
GROUND	1
CONNECT	2,5
EXT. RESISTOR 150Ω	3,4
EXT. CAPACITOR 1.5pF	2 OR 5 TO GND

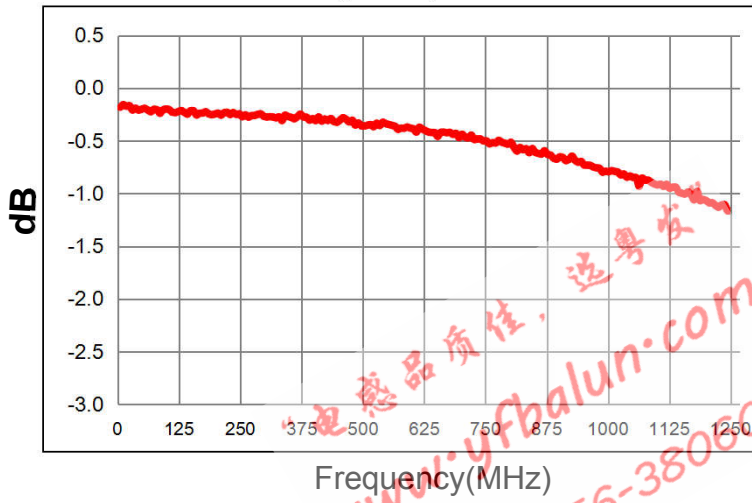
Application circuit:



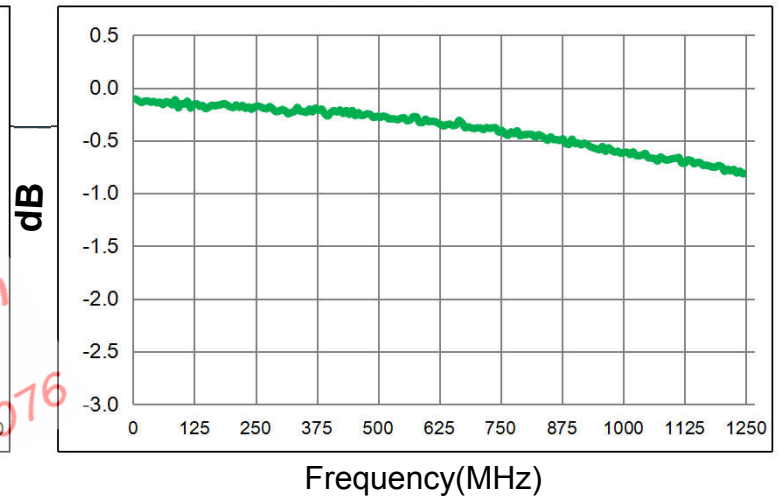
Electrical Specifications: $T_A = 25^\circ C$ $Z_0 = 75\Omega$

Parameter	Test Conditions	Units	Min	Typ	Max
Main line Loss(out1)	5-1250MHz	dB	—	0.6	1.5
Main line Loss(out2)	5-1250MHz	dB	—	0.8	1.5
Amplitude Balance	5-1250MHz	dB	—	0.5	±1.0
Phase Balance	5-1250MHz	Degrees	—	5.0	±5.0
Input Return Loss	5-1250MHz	dB	16.0	25.0	—
Isolation	5-1250MHz	dB	16.0	22.0	—

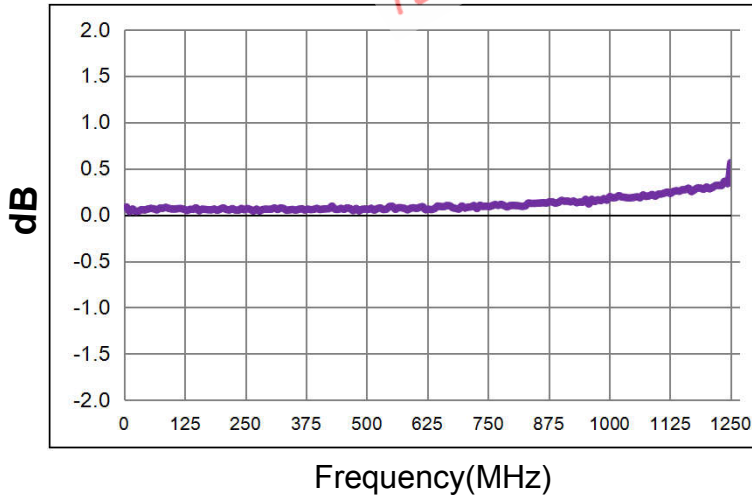
Main line Loss(port1)



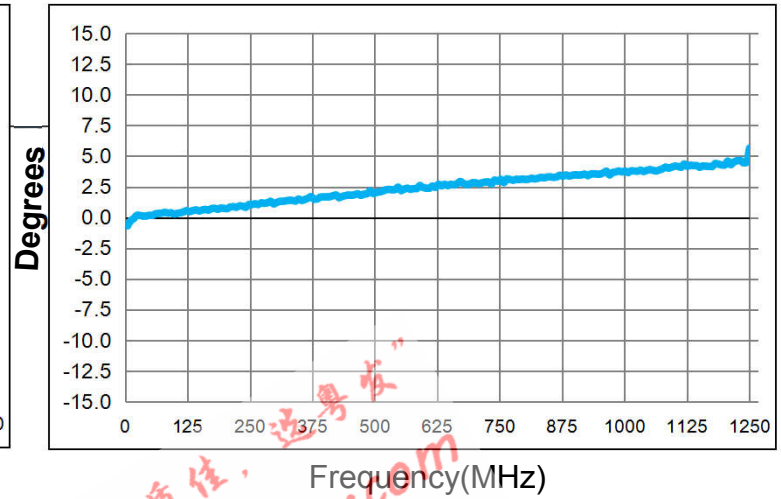
Main line Loss(port2)



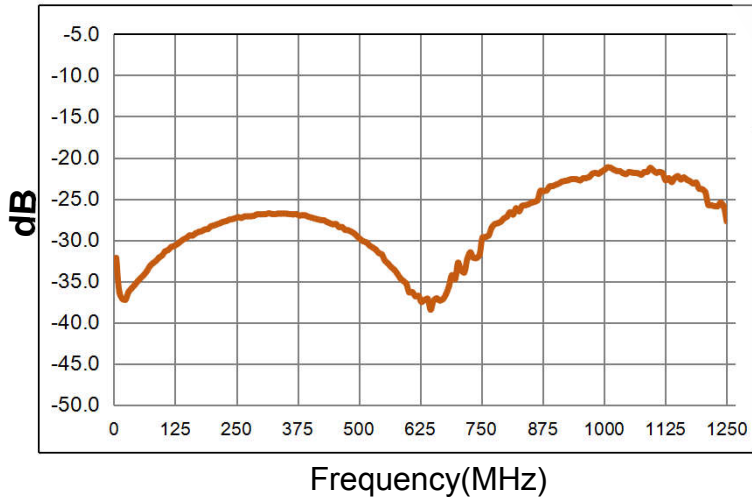
Amplitude Balance



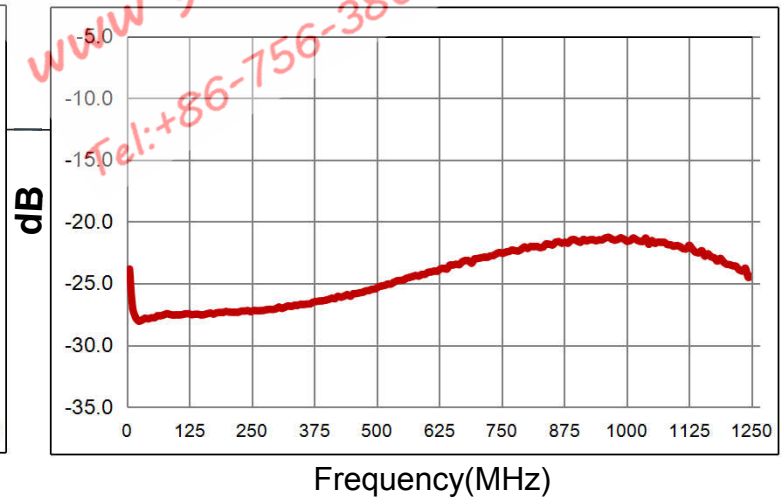
Phase Balance



Input Return Loss

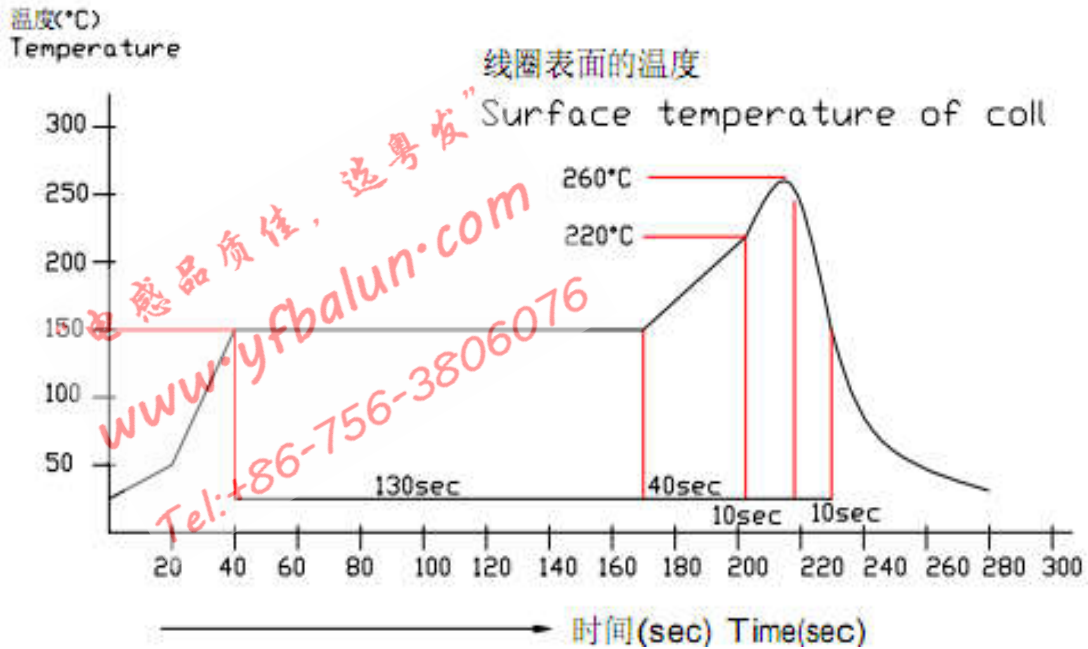


Isolation

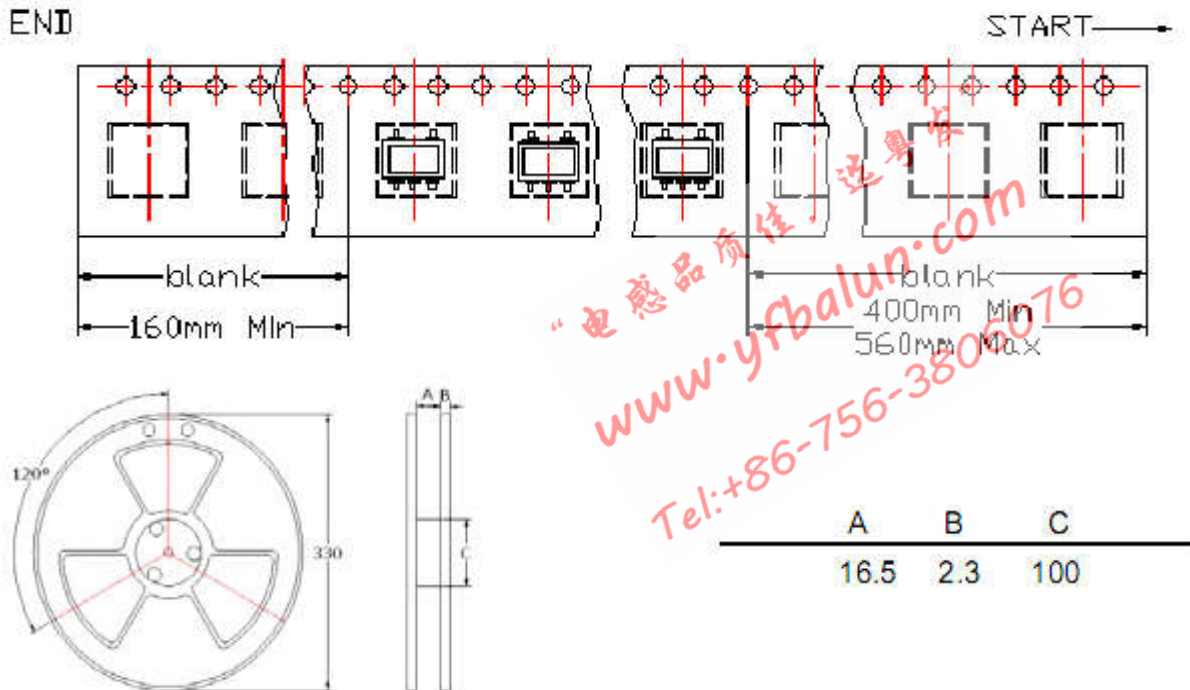


Recommended Soldering Temperature Graph:

建议迴焊条件
The condltion of reflow
(Recommendation)



Packging Dimension For Caeier Tape(UNIT:mm):



QUANTITY

1,000PCS/Reel

3Reels/Middle Carton

5 Middle Cartons/Big Carton/15,000pcs