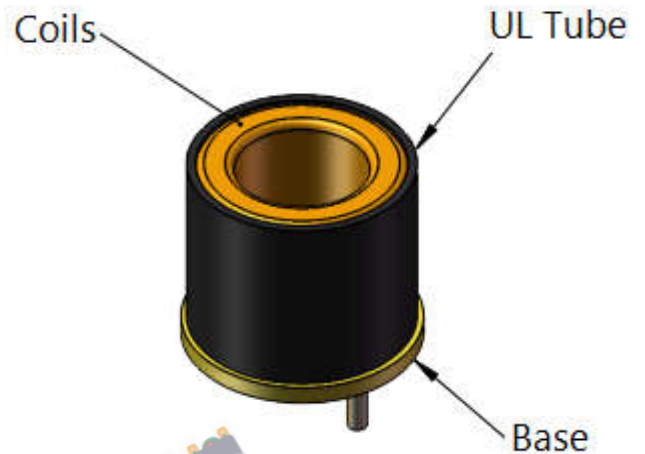
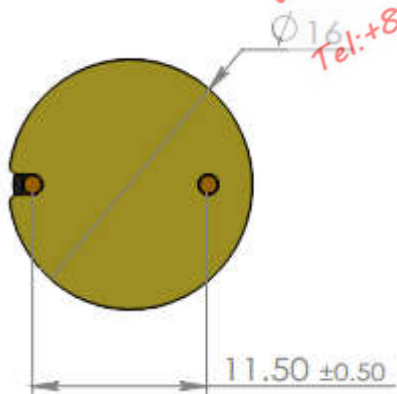
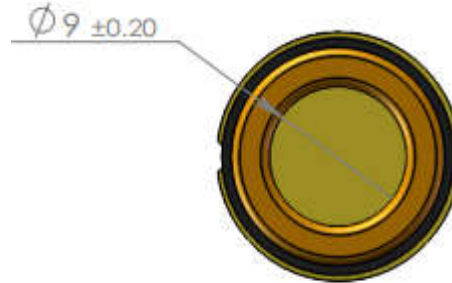
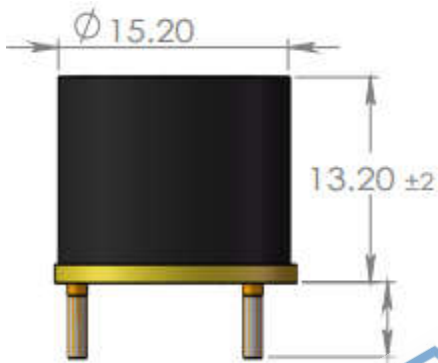


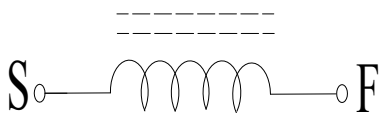
1、 DIMENSION DIAGRAM (Unit: mm)



EASTEVEER
ELECTRONICS
www.yfbalun.com
Tel: +86-756-3806076

EASTEVEER
ELECTRONICS
www.yfbalun.com
Tel: +86-756-3806076

2、 Electrical Structure :



3、 Electrical Requirements:

- Wire : EIW-1.20
- Inductance : 4.0uH±20%
- Rated Current: 7.0A Max
- DCR : 30.0mΩ Max
- Test Frequency: 1KHz/0.3V
- Operating temperature range : -40°C to +85°C
- Storage temperature range : -55°C to +100°C

DRAW BY	yang lin	CHECKED BY	ye yong jun	APPROVED BY	deng gao
----------------	-----------------	-------------------	--------------------	--------------------	-----------------