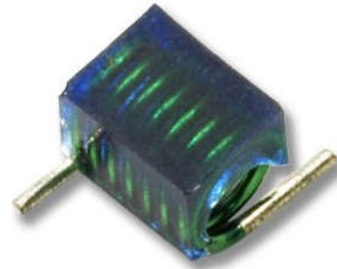


Features:

- ◆RoHS Compliant
- ◆High Performance,Low Cost
- ◆Miniature Scale ,Maximum Q
- ◆Suitable for High frequency applications
- ◆Easy Bonding and low sensitivity against humidity

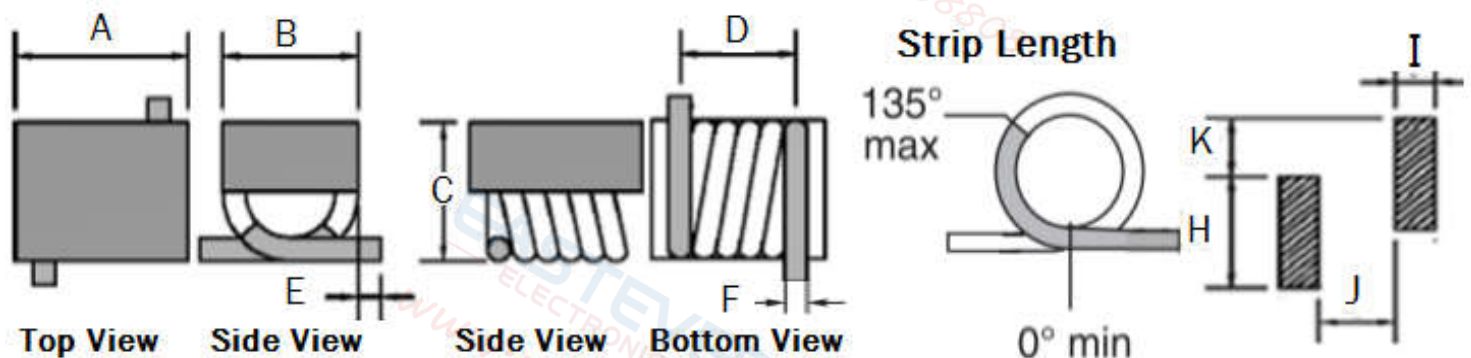


Applications:

- ◆Power amplifier,antenna module,voltage controlled oscillator,and the mobile phone,such as GSM CDMA and PDC.
- ◆Digital TV tuner,wireless LAN and Bluetooth equipment etc.

Dimension Diagram:

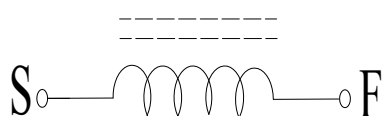
Recommended Land Pattern:



A=4.80±0.20 B=3.80±0.20 C=3.60±0.20 D=4.50±0.20 E=0.70±0.30

F=0.45±0.05 H=5.00±0.10 I=1.20±0.10 J=3.10±0.10 K=2.50±0.10

Electrical Structure :



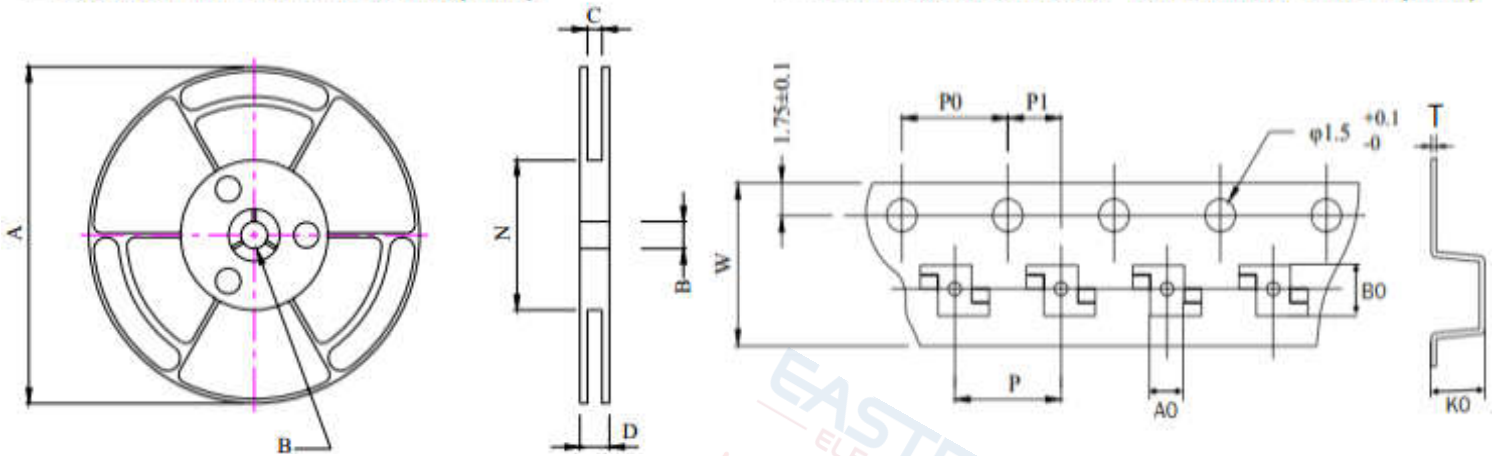
Electrical Requirements:

- Inductance : 82.0nH±5%
- I_{rms} : 2.5A Max
- DCR : 9.4mΩ Max
- SRF : 1.3GHz Min
- Q : 100.0 Min
- Frequency : 150MHz

Packging Dimension For Carrier Tape:

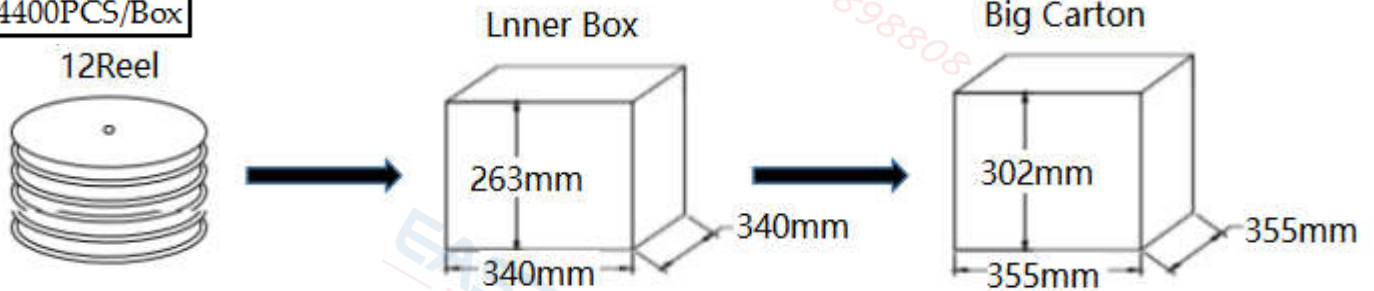
■ CARRIER TAPE REELS (mm)

■ DIMENSIONS OF CARRIER TAPE (mm)



A	B	C	D	N	W	P	P0	P1	T	A0	B0	K0
340	13.0	16.5	25.5	100	16.0	12.0	4.0	6.0	0.5	4.2	5.5	4.2
Max	±0.5	±0.5	±0.5	Ref	±0.3	±0.1	±0.1	±0.1	±0.1	±0.2	±0.2	±0.2

1200PCS/Reel
14400PCS/Box



RECOMMENDED REFLOW PROFILE GRAPH:

Typical RoHS Reflow Profile

