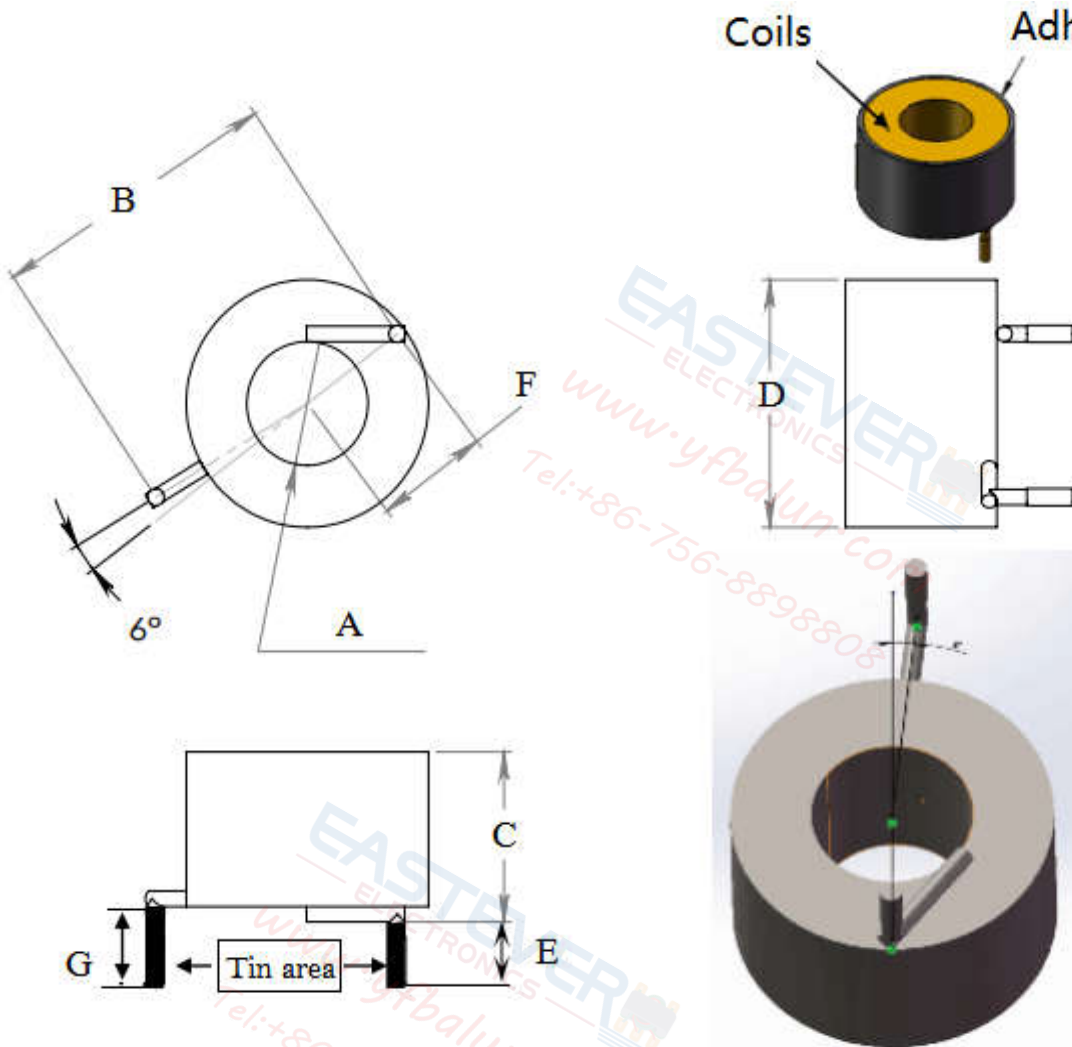


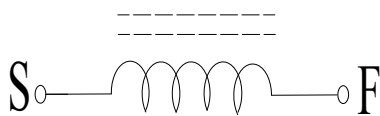
1、 DIMENSION DIAGRAM (Unit: mm)



A=8.0±0.1 B=19.0±0.5 C=11.0 Max D=16.5 Max E=5.0±1.0 F=7.3±0.5 G ≥ E

2、 Electrical Structure :

3、 Electrical Requirements:



- Wire : QZY-1.0 (Temperature class:180°C)
- Inductance : 7.0uH±10%
- Rated Current: 7.0A Max
- DCR : 31.5mΩ Max
- Test Frequency:1KHz/0.3V
- Operating temperature range : -40°C to +105°C
- Storage temperature range : -55°C to +125°C