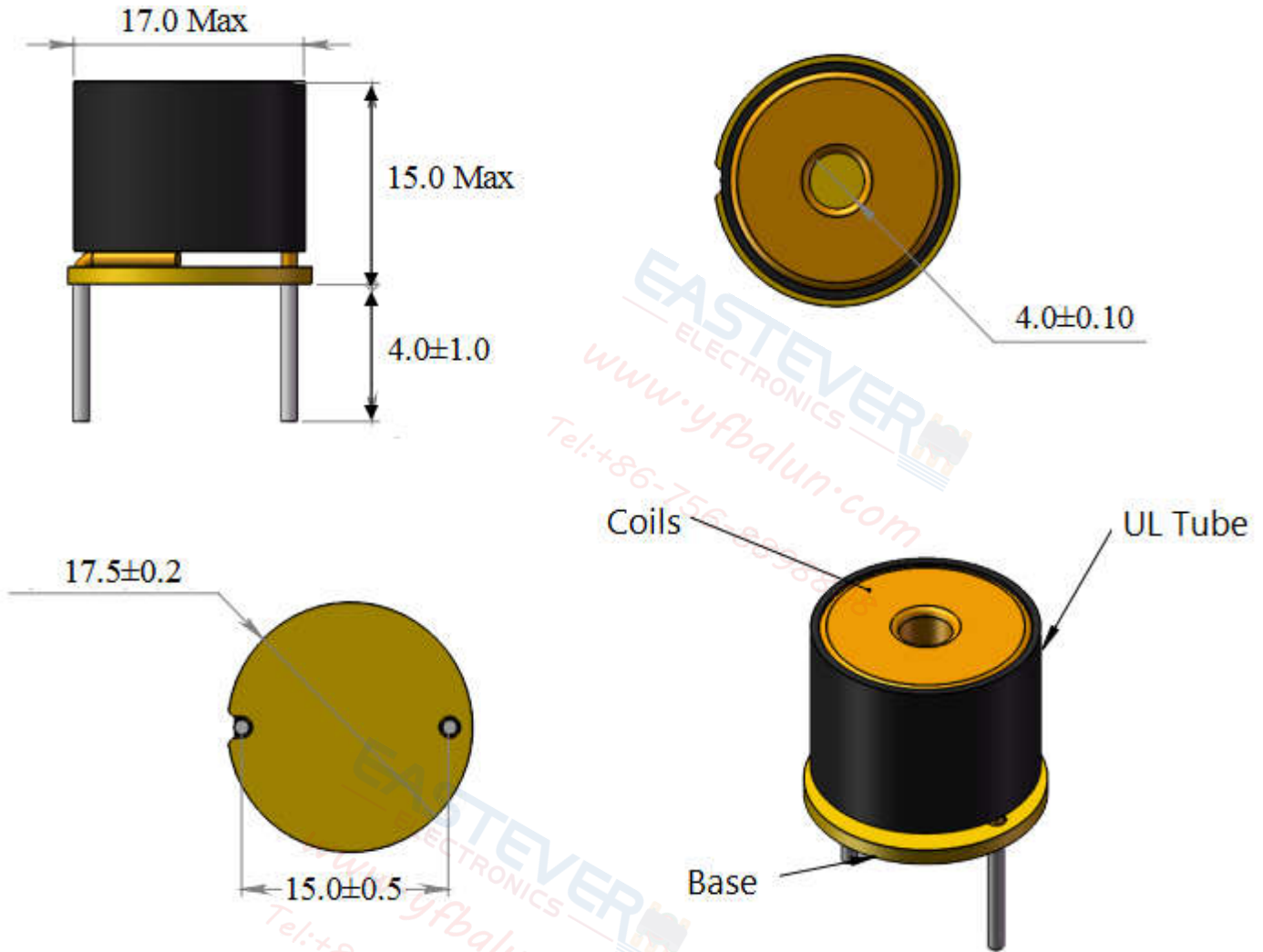
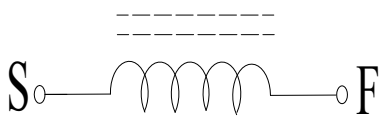


1、 DIMENSION DIAGRAM (Unit: mm)



2、 Electrical Structure :



3、 Electrical Requirements:

- Wire : 2UEW-1.00
- Inductance : 12uH±10%
- Rated Current: 7.0A Max
- DCR : 50.0mΩ Max
- Test Frequency: 1KHz/0.3V
- Operating temperature range : -40℃ to +150℃
- Storage temperature range : -55℃ to +160℃