

Features:

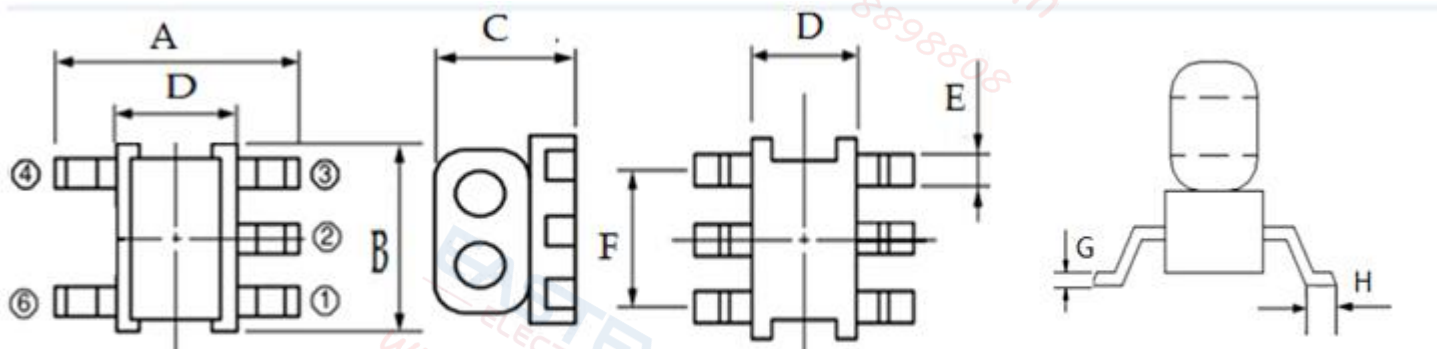
- ◆ Frequency Range: 2 to 1500 MHz
- ◆ Surface mount and available in tape and reel
- ◆ 260°C reflow compatible
- ◆ RoHS Compliant and Pb free
- ◆ Operating temperature range: -40°C to +85°C
- ◆ Storage temperature range: -55°C to +100°C



Applications:

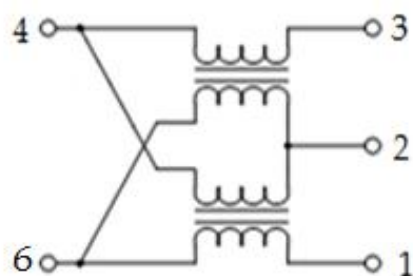
- ◆ For catv
- ◆ For broadband and wireless communications

Dimension diagram (Unit:mm) :

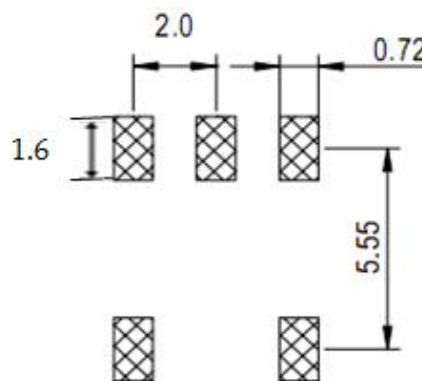


A=6.30±0.20 B=6.10±0.20 C=4.50±0.20 D=4.00±0.20 E=0.60±0.05 F=4.00±0.10 G=0.30±0.05 H=0.60±0.10

Electrical structure:



Recommended layout(mm):

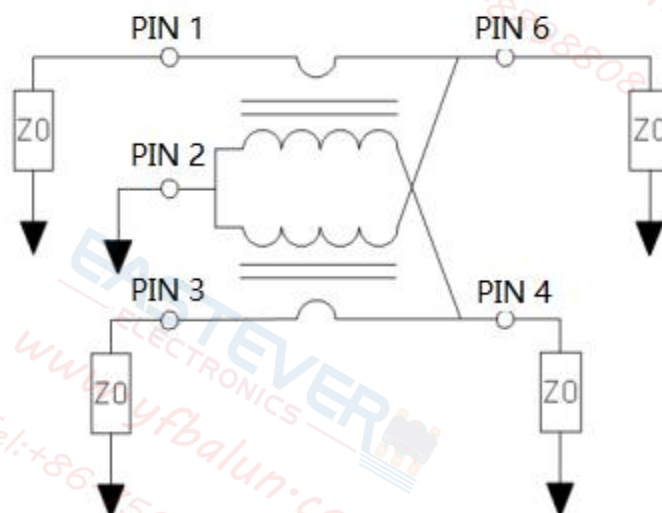


DRAW BY	yang lin	CHECKED BY	ye yong jun	APPROVED BY	deng gao
---------	----------	------------	-------------	-------------	----------

Pin configuration

Pin no.	Function
1	Input
2	Ground
3	Coupled
4	Isolated
6	Output

Application circuit :



Electrical Specifications: $T_A = 25^\circ\text{C}$ $Z_0 = 75\Omega$

Parameter	Test Conditions	Units	Min	Typ	Max
Main line Loss	2-1500MHz	dB	—	0.50	2.50
Coupling	2-1500MHz	dB	—	15.80	± 0.8
Input Return Loss	2-1500MHz	dB	16.00	25.00	—
Output Return Loss	2-1500MHz	dB	16.00	30.00	—
Coupling Return Loss	2-1500MHz	dB	16.00	21.00	—
Isolation	2-1500MHz	dB	16.00	20.00	—

DRAW BY

yang lin

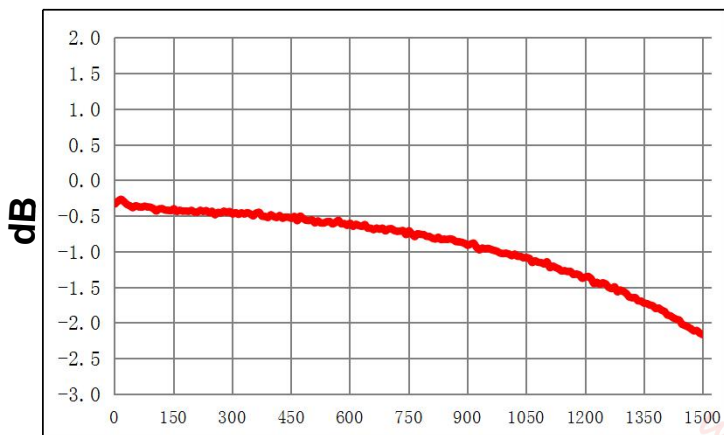
CHECKED BY

ye yong jun

APPROVED BY

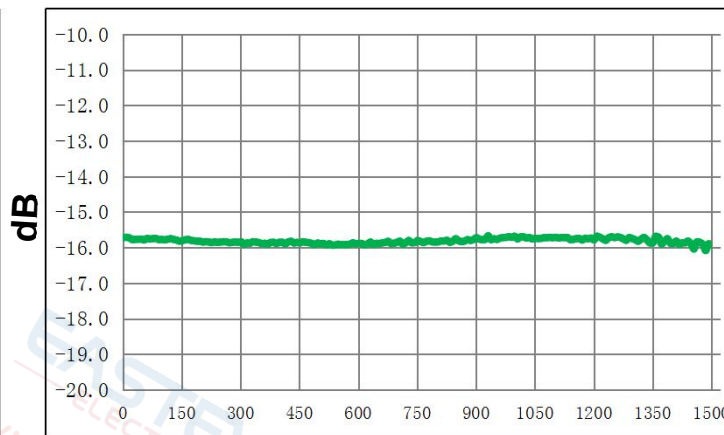
deng gao

Main line Loss(pin1-6):



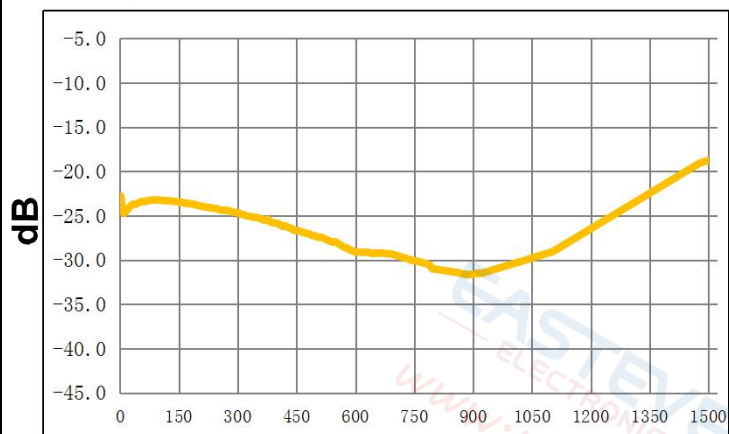
Frequency(MHz)

Coupling(pin1-3):



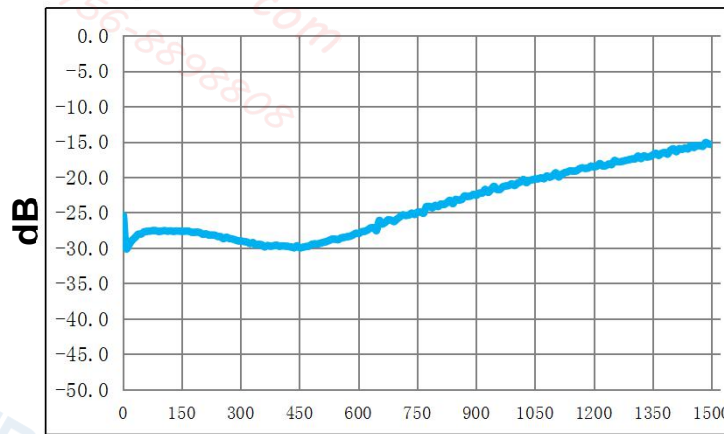
Frequency(MHz)

Input Return Loss (Pin1)



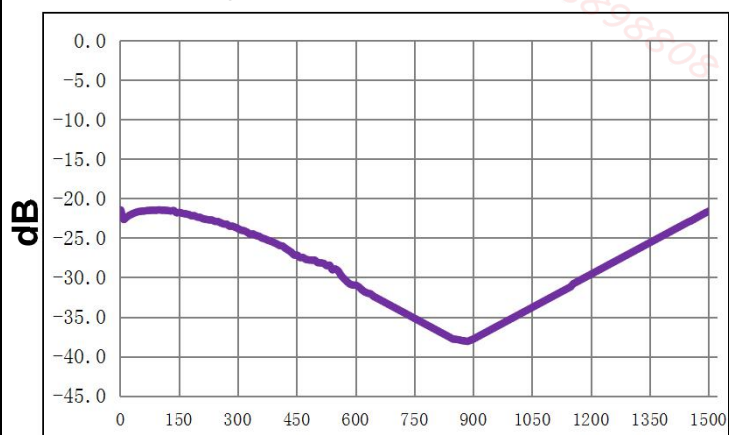
Frequency(MHz)

Output Loss (Pin2)



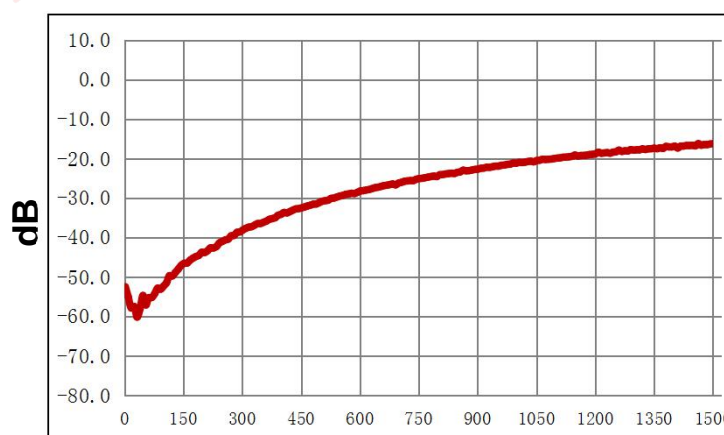
Frequency(MHz)

Coupling Return Loss (Pin3)



Frequency(MHz)

Isolation (Pin1-4)



Frequency(MHz)

DRAW BY

yang lin

CHECKED BY

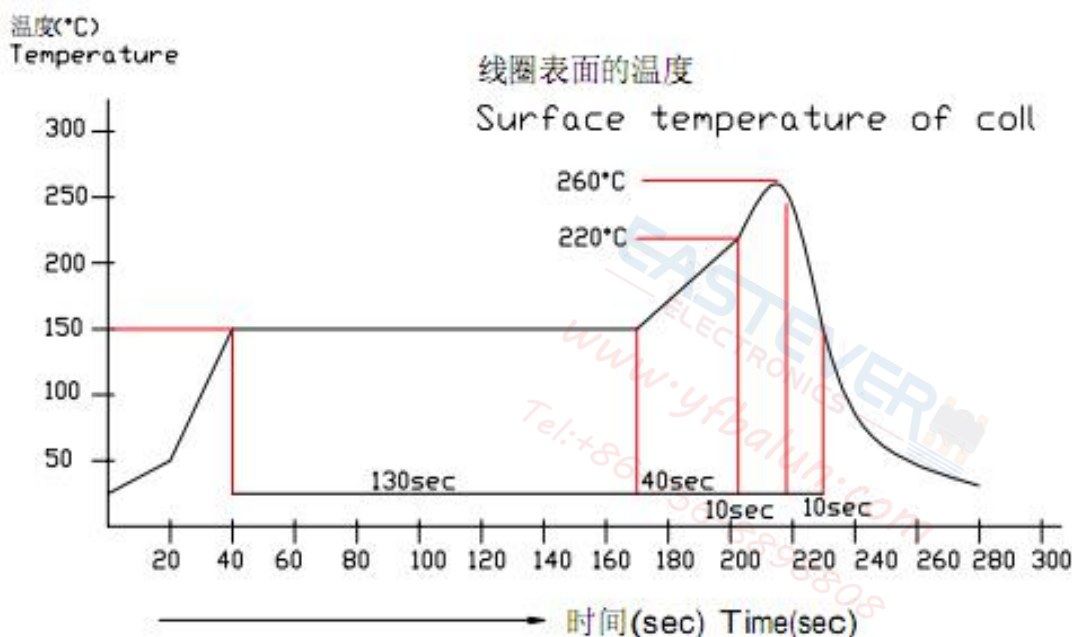
ye yong jun

APPROVED BY

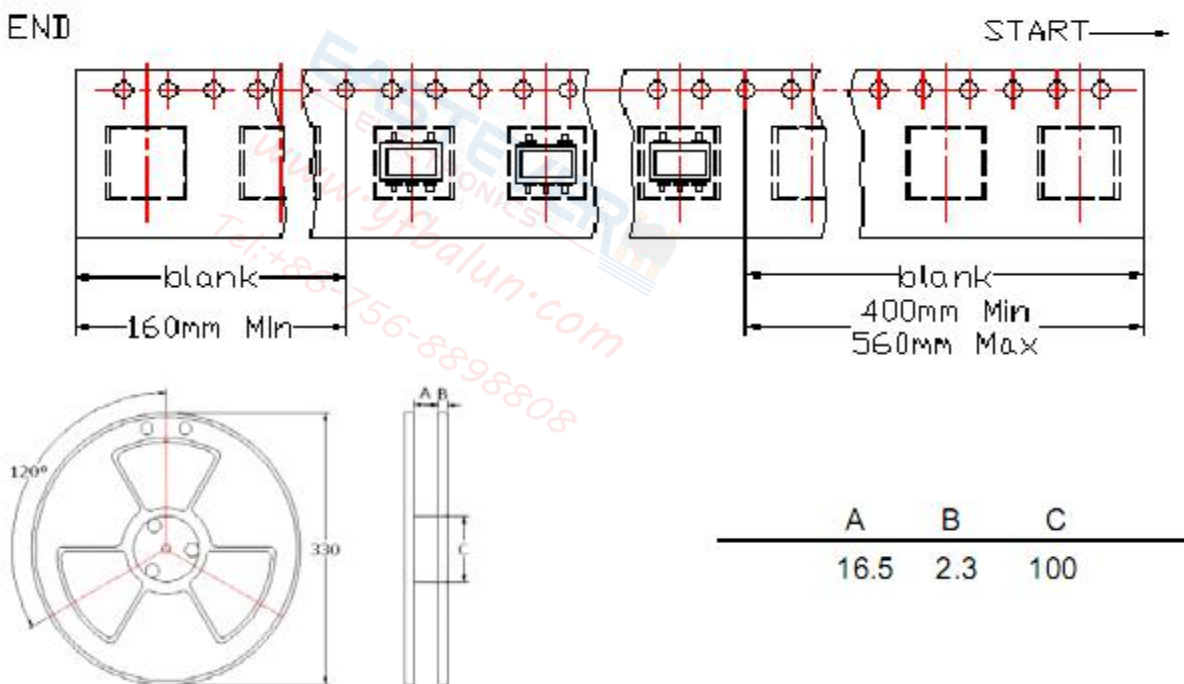
deng gao

Recommended Soldering Temperature Graph:

建议迴焊条件
The condltion of reflow
(Recommendation)



Packing Dimension For Caeier Tape(UNIT:mm):



QUANTITY

1,000PCS/Reel

3Reels/Middle Carton

5 Middle Cartons/Big Carton/15,000pcs

DRAW BY

yang lin

CHECKED BY

ye yong jun

APPROVED BY

deng gao