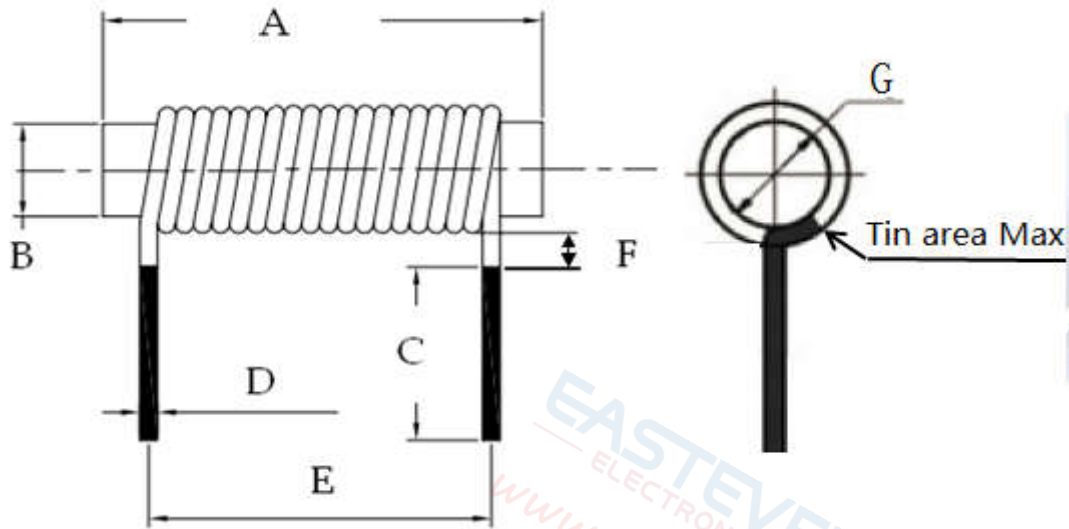
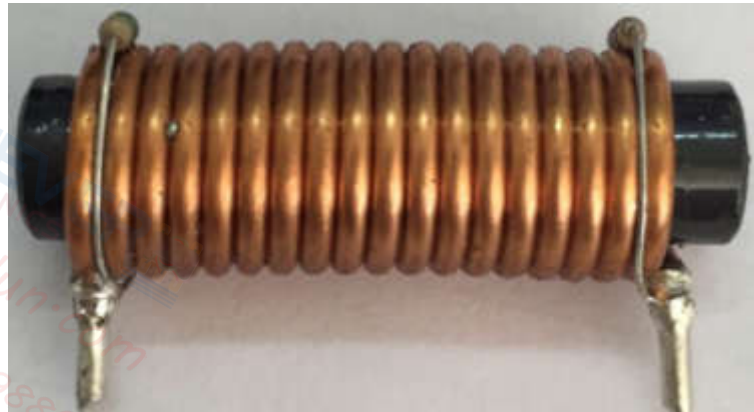


1、 DIMENSION DIAGRAM (Unit:mm)



A: 36.0±0.5 B: 8.0±0.2 C: 5.00 Min D: 1.5±0.05 E: 30.0±1.0 F: 1.50 Max G: 8.0 Ref

2、 ELECTRICAL STRUCTURE:



3、 ELECTRICAL CHARACTERISTICS:

TURNS : 18.0TS(FIXED)
 TEST FREQUENCY : 10KHz/0.3V(TH2776B)
 INDUCTANCE : 10.0uH(±10%)
 RDC : 60.0mΩ(Max)
 IDC : 15.0A(Max)

DRAW BY

yang lin

CHECKED BY

ye yong jun

APPROVED BY

deng gao