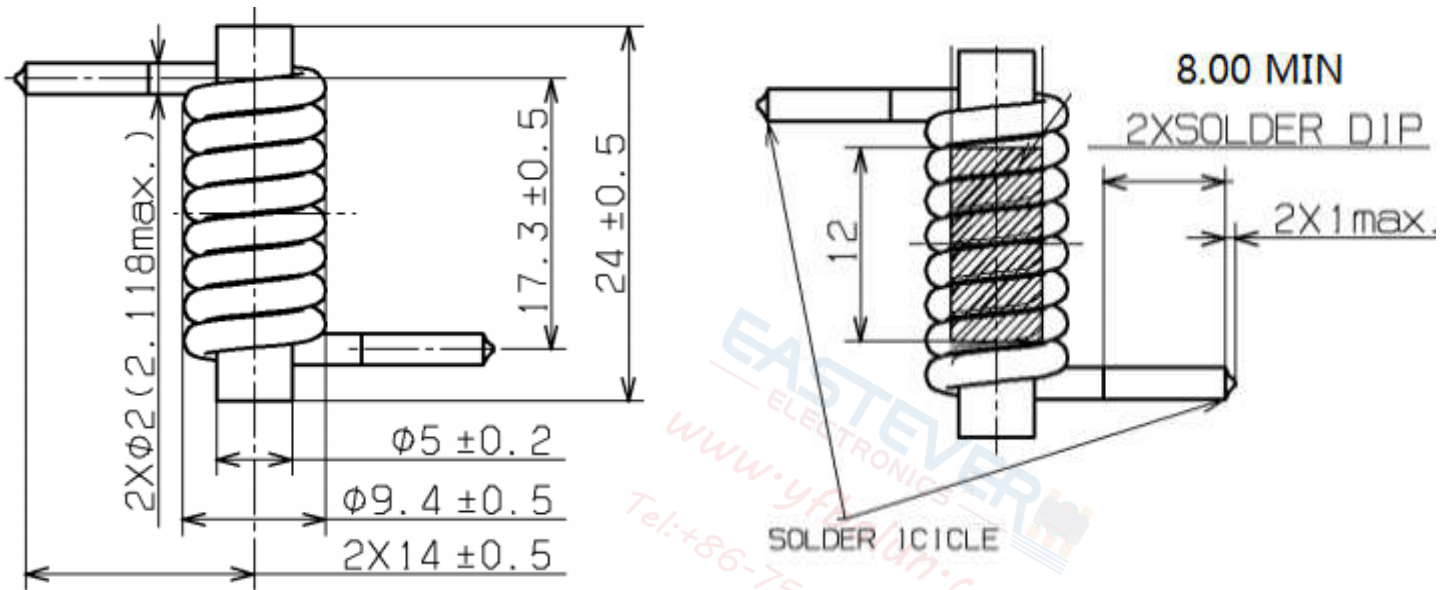
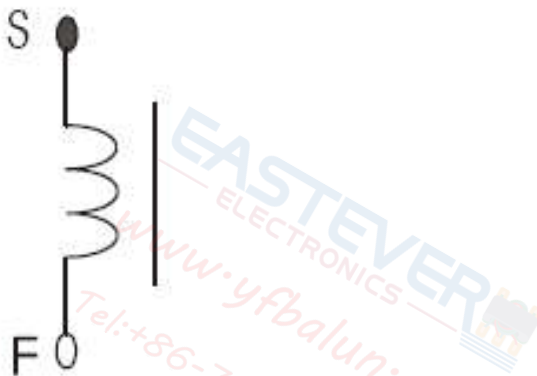


1、 DIMENSION DIAGRAM (Unit: mm)



2、 ELECTRICAL STRUCTURE



3、 ELECTRICAL CHARACTERISTICS:

- TURNS : 8.0TS(FIXED)
- TEST FREQUENCY : 10KHz/0.3V(TH2776B)
- INDUCTANCE : 1.50uH±30%
- RDC : 2.10mΩ Max

DRAW BY

yang lin

CHECKED BY

ye yong jun

APPROVED BY

deng gao