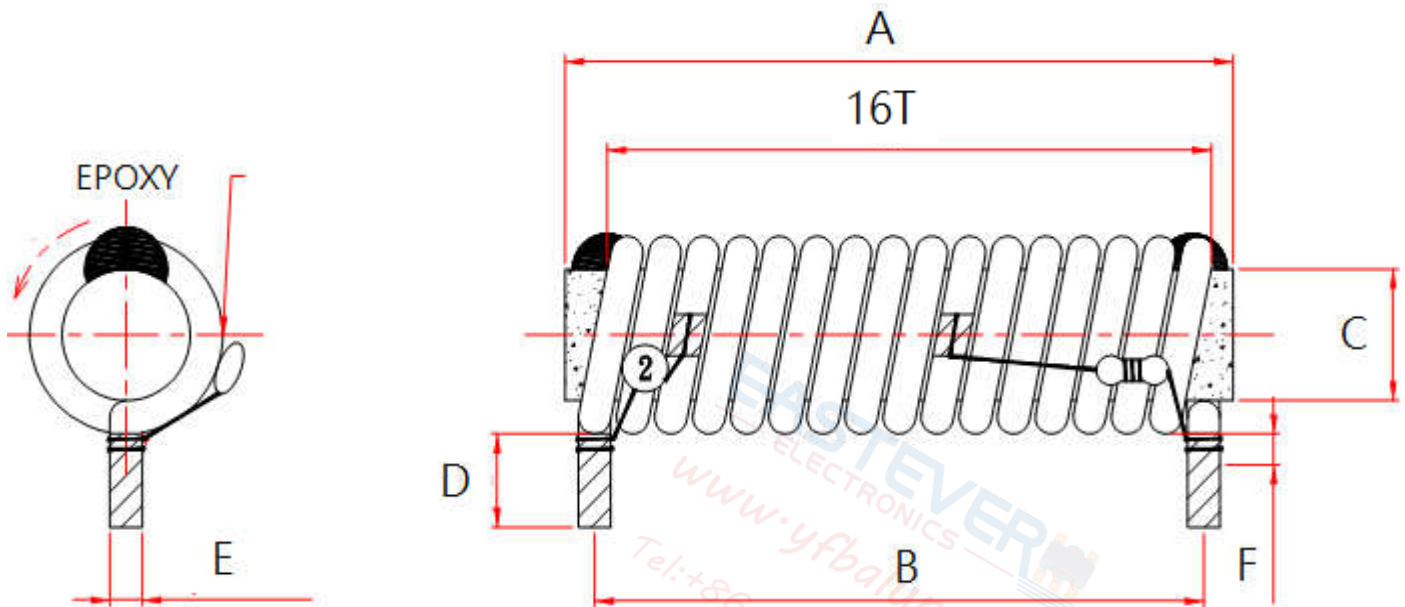
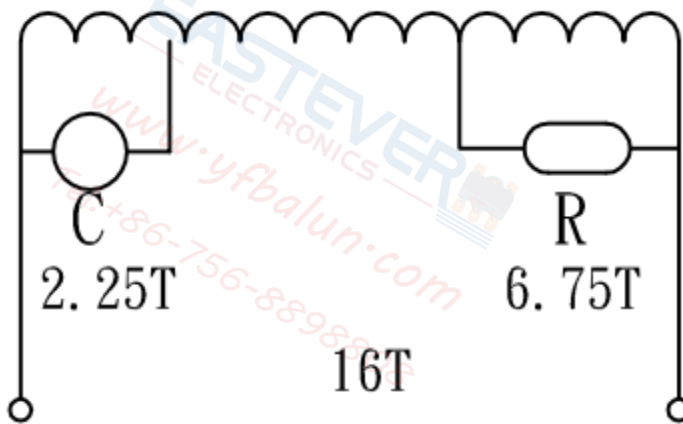


1、 DIMENSION DIAGRAM (Unit:mm)



A=33.0±1.0 B=29.5±1.0 C=6.35±0.15 D=4.00±1.00 E=1.60±0.10

2、 ELECTRICAL STRUCTURE:



3、 ELECTRICAL CHARACTERISTICS:

TURNS : 16.0TS(FIXED)  
 TEST FREQUENCY: 1.0KHz/0.3V(TH2776B)  
 INDUCTANCE : 6.0uH±20%  
 RDC :10.0mΩ Max  
 IDC :15.0A Max

DRAW BY

**yang lin**

CHECKED BY

**ye yong jun**

APPROVED BY

**deng gao**