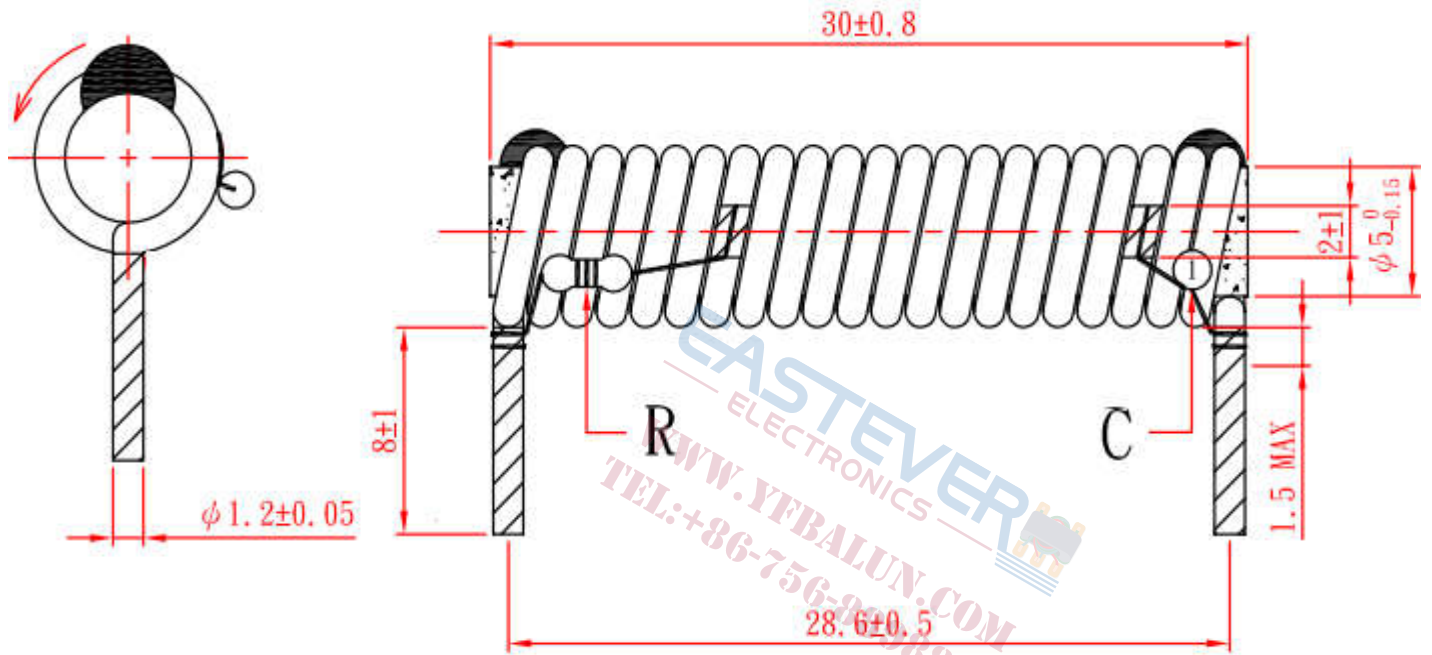
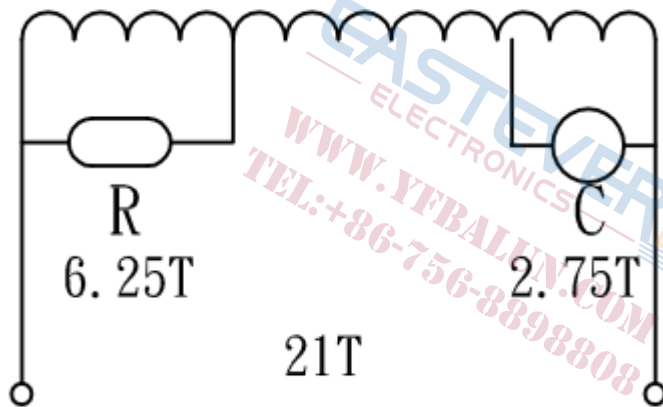


1、 DIMENSION DIAGRAM (Unit:mm)



2、 ELECTRICAL STRUCTURE:



3、 ELECTRICAL CHARACTERISTICS:

- URNS : 21.0TS (Fixed)
- TEST FREQUENCY : 1.0KHz/0.3V(TH2776B)
- INDUCTANCE : 10uH±20%
- RDC : 20.0mΩ Max
- RATED CURRENT : 10.0A Max