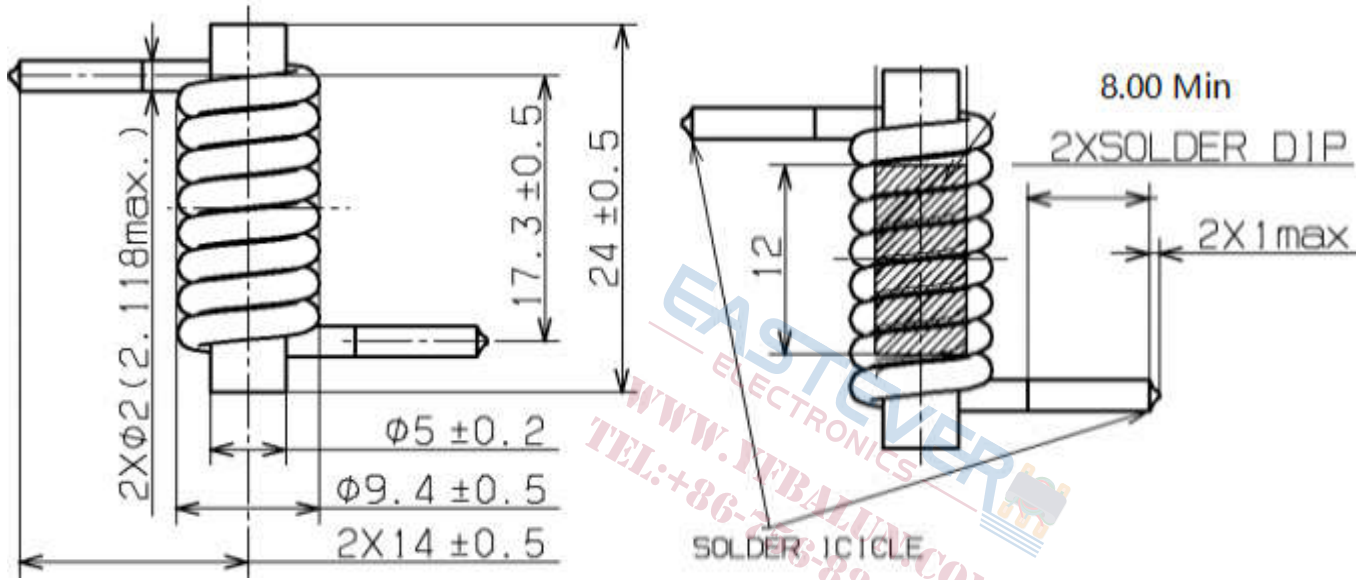
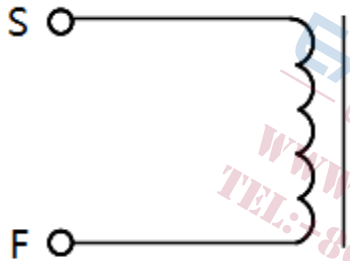


1、 DIMENSION DIAGRAM (Unit: mm) :



2、 ELECTRICAL STRUCTURE:



3、 ELECTRICAL CHARACTERISTICS:

- URNS : 8.0TS(FIXED)
- TEST FREQUENCY : 10KHz/0.3V(TH2776B)
- INDUCTANCE : 1.50uH±30%
- DCR : 2.10mΩ Max
- RATED CURRENT : 25.0A Max